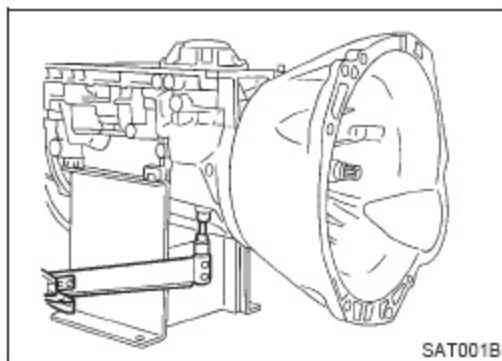


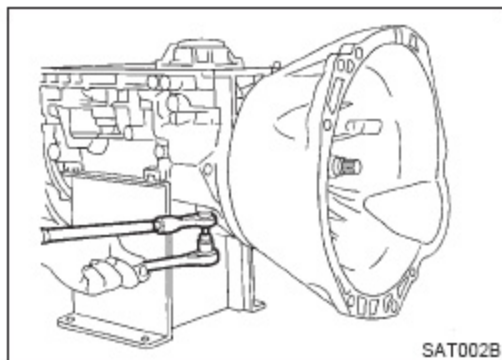
ASSEMBLY

Assembly (2) (Cont'd)



7. Adjust brake band.
 - a. Tighten anchor end bolt to specified torque.

Anchor end bolt:
🔩 : 4 - 6 N·m (0.4 - 0.6 kg-m, 35 - 52 in-lb)
 - b. Back off anchor end bolt two and a half turns.



- c. While holding anchor end bolt, tighten lock nut.